

M3514-MP

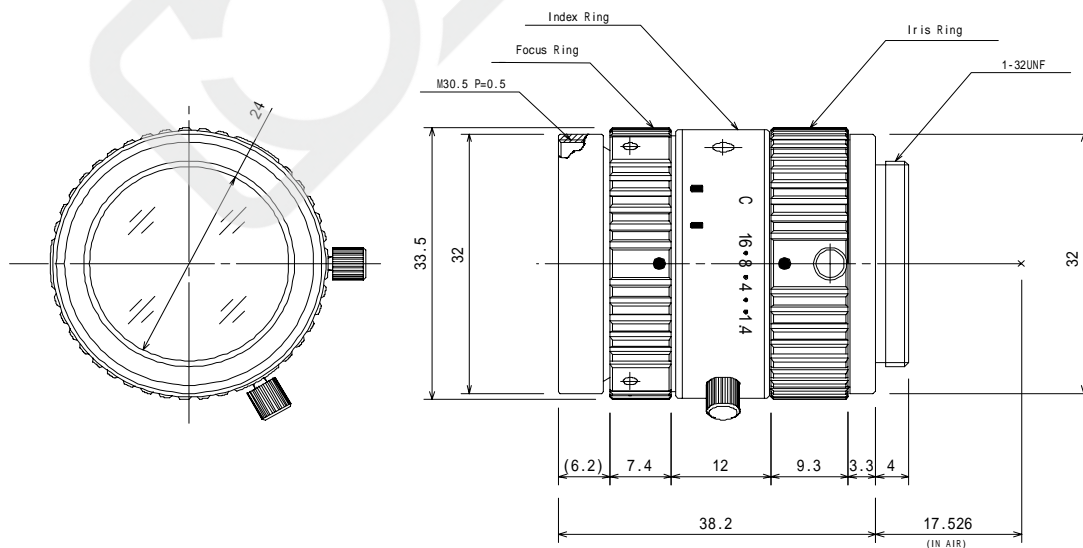
f=35mm F1.4
for 2/3 type Megapixel Cameras
C-Mount



| | | | | | | | | | |
|---------------------------|----------|----------------------|--------|--------------------|-----------------|---------------|--|--------|--------|
| Model No. | | M3514-MP | | Effective | Front | φ 24mm | | | |
| Focal Length | | 35mm | | Lens Aperture | Rear | 12mm | | | |
| Max. Aperture Ratio | | 1:1.4 | | Distortion | 2/3 type | -0.8%(y=5.5) | | | |
| Max. Image Format | | 8.8mm x 6.6mm(11mm) | | | 1/2 type | -0.39%(y=4.0) | | | |
| Operation Range | Iris | F1.4 F16C | | Back Focal Length | 17.1mm | | | | |
| | Focus | 0.3m Inf. | | Flange Back Length | 17.526mm | | | | |
| Control | Iris | Manual | | Mount | C-Mount | | | | |
| | Focus | Manual | | Filter Size | M30.5 P=0.5mm | | | | |
| Object Dimension at M.O.D | 2/3 type | 8.1cm x 6cm | | Dimensions | 33.5mm x 38.2mm | | | | |
| | 1/2 type | 5.9cm x 4.4cm | | Weight | 87g | | | | |
| Angle of View | D | 2/3 type | 17.3 ° | 1/2 type | 12.6 ° | | | | |
| | | | H | | | | | 13.9 ° | 10.1 ° |
| | | | V | | | | | 10.4 ° | 7.6 ° |
| Operating Temperature | | -10 +50 | | | | | | | |

M.O.D : Minimum Object Distance

Dimensions



Specifications are subject to change without notice.