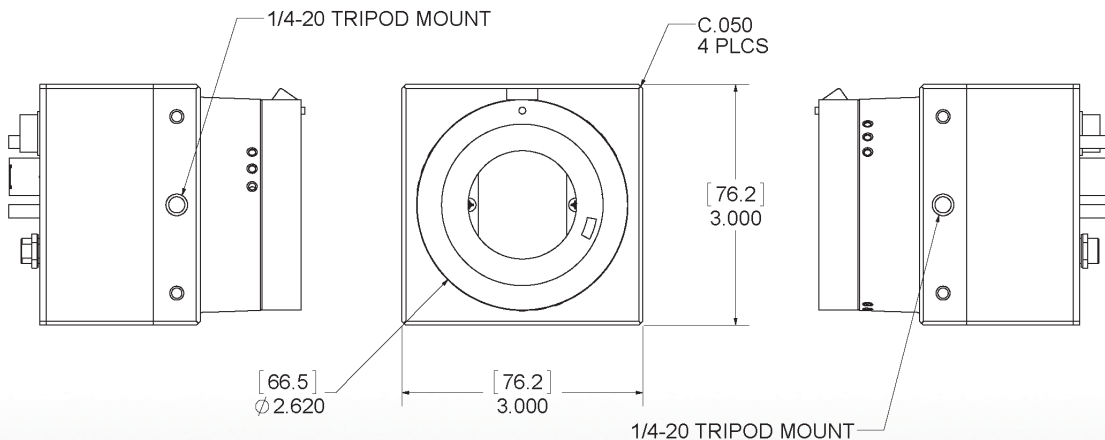
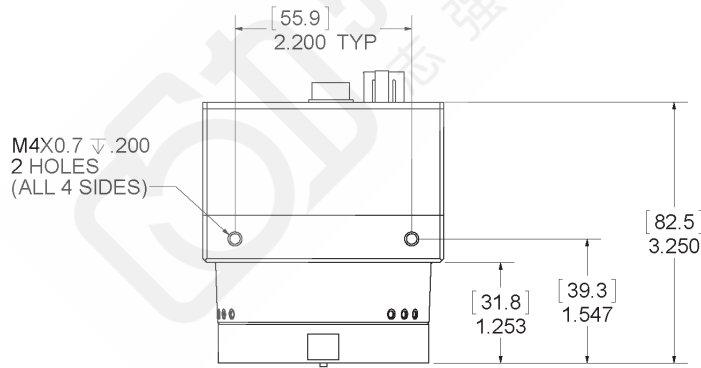
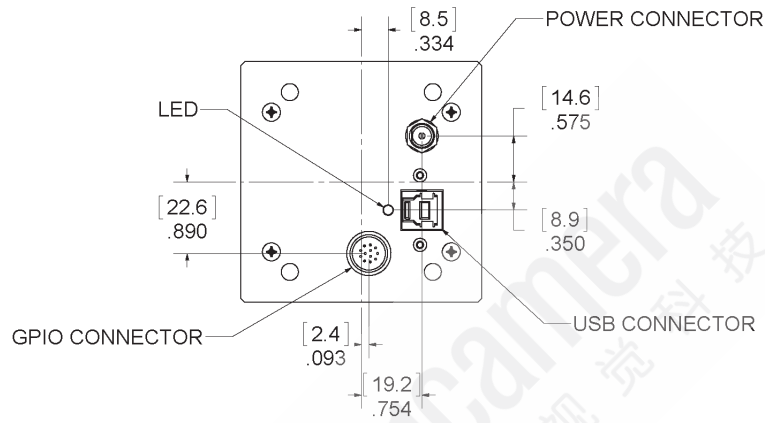
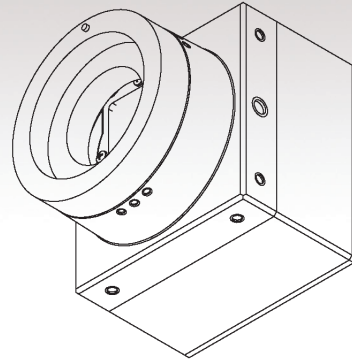


Mechanical Drawings



Measurements = [mm]  
inches

